

FAR EAST

威遠企業 KITCHEN SOLUTIONS

August 2011



Technical details

家用 **Domestic** wok cooker

Compact power in your home

Medium duty water on-top cooled gas wok cooking range for domestic kitchens

Technical details (Domestic wok cooker): Dimensions, layouts and burners

Owners of the appliance should consult the 'Installations instructions and user guide' supplied with your Far East wok cooker. Replacement documentation is available by request.

For all prices, please see our online pricelist.

PRODUCT FEATURES

- Does not require connection to plumbing; simply fill the top with water from a jug and top up periodically.
- Water drains via front mounted spout in to a bucket or other container; no need to connect to drainage system.
- Removable burner ring for easy cleaning, which is also double skinned for longevity
- LPG and Natural Gas versions available
- Choice of 3 burners

OPTIONAL FEATURES

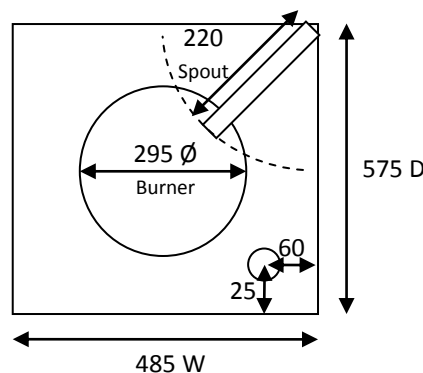
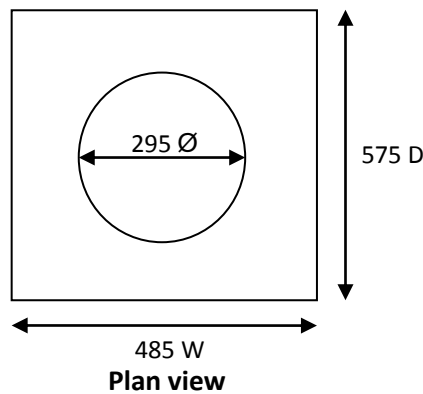
- Swing spout tap for cold water with connection to mains water supply
- Connection to mains drainage for waste water
- Hinged front door
- Castor wheels for portability

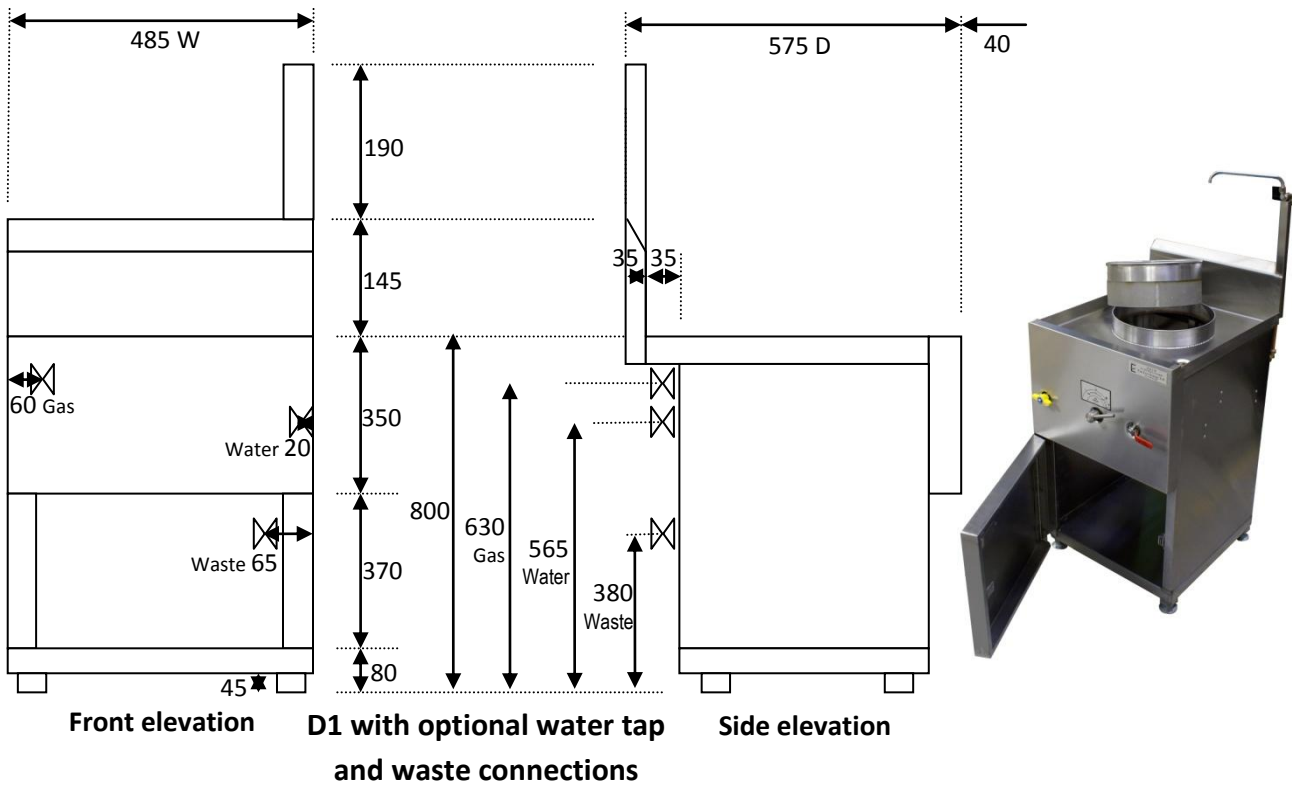
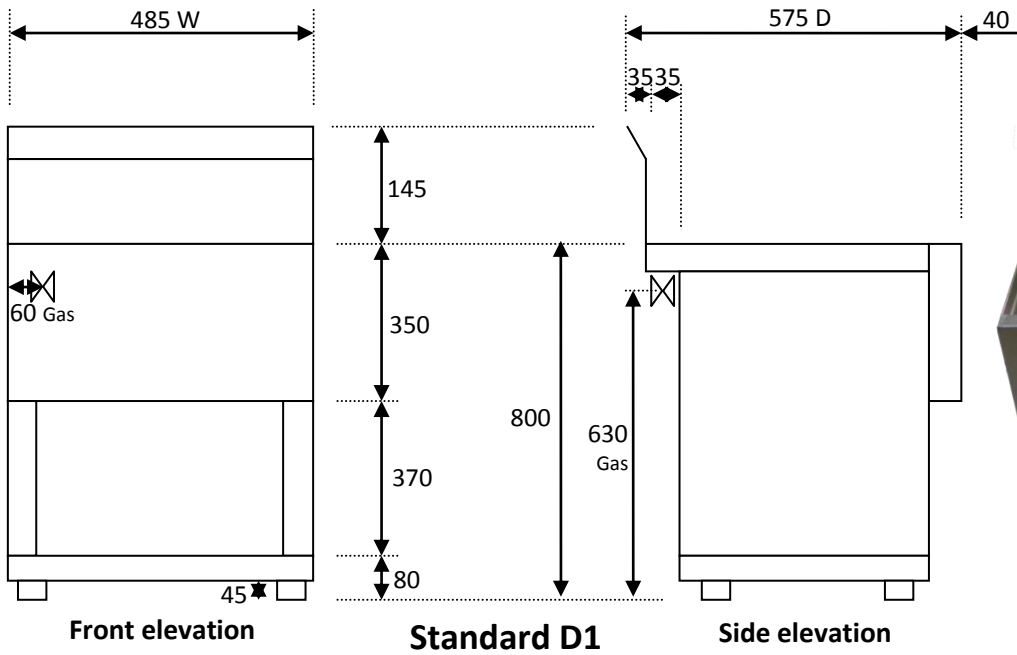
TYPICAL LAYOUT AND DIMENSIONS

- All measurements in millimetres unless otherwise stated
- **Diagrams not to scale**

D1

45 kg (typical, dry)
 5 L water capacity (approx)
 up to 38.3 kW heat input (NG)





REQUIRED CONNECTIONS

- Gas inlet: Ø22 mm Natural Gas (G20 or G25) or LPG (G31)
 - ***Cookers must only be supplied with the gas type indicated on the data plate. Conversion between types must be performed by Far East Kitchen Solutions.***

OPTIONAL CONNECTIONS

- Water inlet for optional tap: Ø15 mm cold water
- Waste outlet for optional mains drainage connection: Ø28 mm

GAS BURNERS

- Any of the burners listed below may be fitted to the appliance.
- Bar burners operate much more efficiently than Vortex at lower power settings – it is advisable for appliances that will be regularly used at less than full power to be fitted with 3 bar burners.
- Heat output values are stated for natural gas (G20 and G25) - values for LPG (G31) will typically be approximately 10% less.
- Images are for illustrative purposes only - burners fitted may differ in appearance.

Image	Symbol	Type	Typical heat release (kW)	Typical heat release (BTU)
	③	3 bar	15.6	53000
	⑥	Spider V6 jet	16.5	56300
	⑫	Vortex V12 jet	38.3	130800

SAFETY FEATURES

This appliance is equipped with a CE gas valve and thermocouple flame failure device.

FAR EAST

威遠企業 KITCHEN SOLUTIONS

Telephone (Mon-Fri, 0900-1730)

Parts and service: 01246 251177

Sales and enquiries: 01246 251188

Facsimile

01246 251199

Website

www.fekitchensolutions.com

E-mail

info@fekitchensolutions.com

Postal

Far East Kitchen Solutions, Coney Green Farm, Lower Market Street Clay Cross, Derbyshire.
S45 9NE

Far East Kitchen Solutions is a trading name of Far East Industries Limited,
registered in the United Kingdom, company no. 01736291.

Head office: Far East Industries Ltd, Wingfield View, Coney Green, Clay Cross, Derbyshire. S45 9JW.

© Far East Industries Ltd 2011
All rights reserved

This document is the property of Far East Industries Ltd.
No use may be made of its contents other than that expressly authorised.